

# WARING COMMERCIAL

## MX1300XTX

64 oz. stackable container

## MX1500XTX

64 oz. stackable container  
comes with sound enclosure

### Unit Information

Limited 3 Year Motor Warranty  
Two Year Parts & Labor

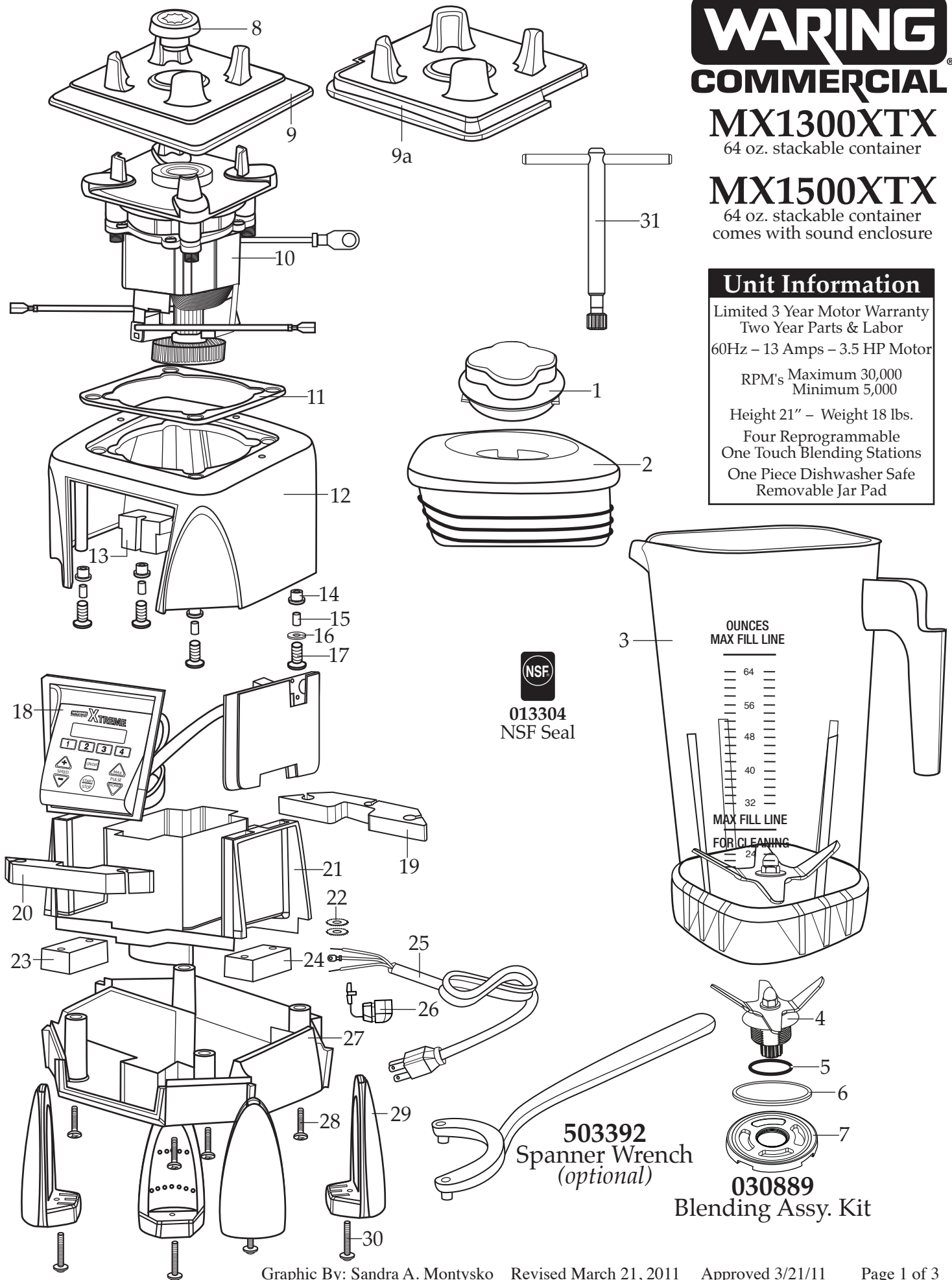
60Hz – 13 Amps – 3.5 HP Motor

RPM's Maximum 30,000  
Minimum 5,000

Height 21" – Weight 18 lbs.

Four Reprogrammable  
One Touch Blending Stations

One Piece Dishwasher Safe  
Removable Jar Pad



**013304**  
NSF Seal

**503392**  
Spanner Wrench  
(optional)

**030889**  
Blending Assy. Kit

**Catalog**  
MX1300XTX  
MX1500XTX

**Model**  
MX1300XT41  
MX1500XT42

**Waring Factory Service Center**  
314 Ella T. Grasso Ave.  
Torrington, CT 06790  
Tele. 1-800-269-6640  
Fax 860-496-9017  
www.waringproducts.com



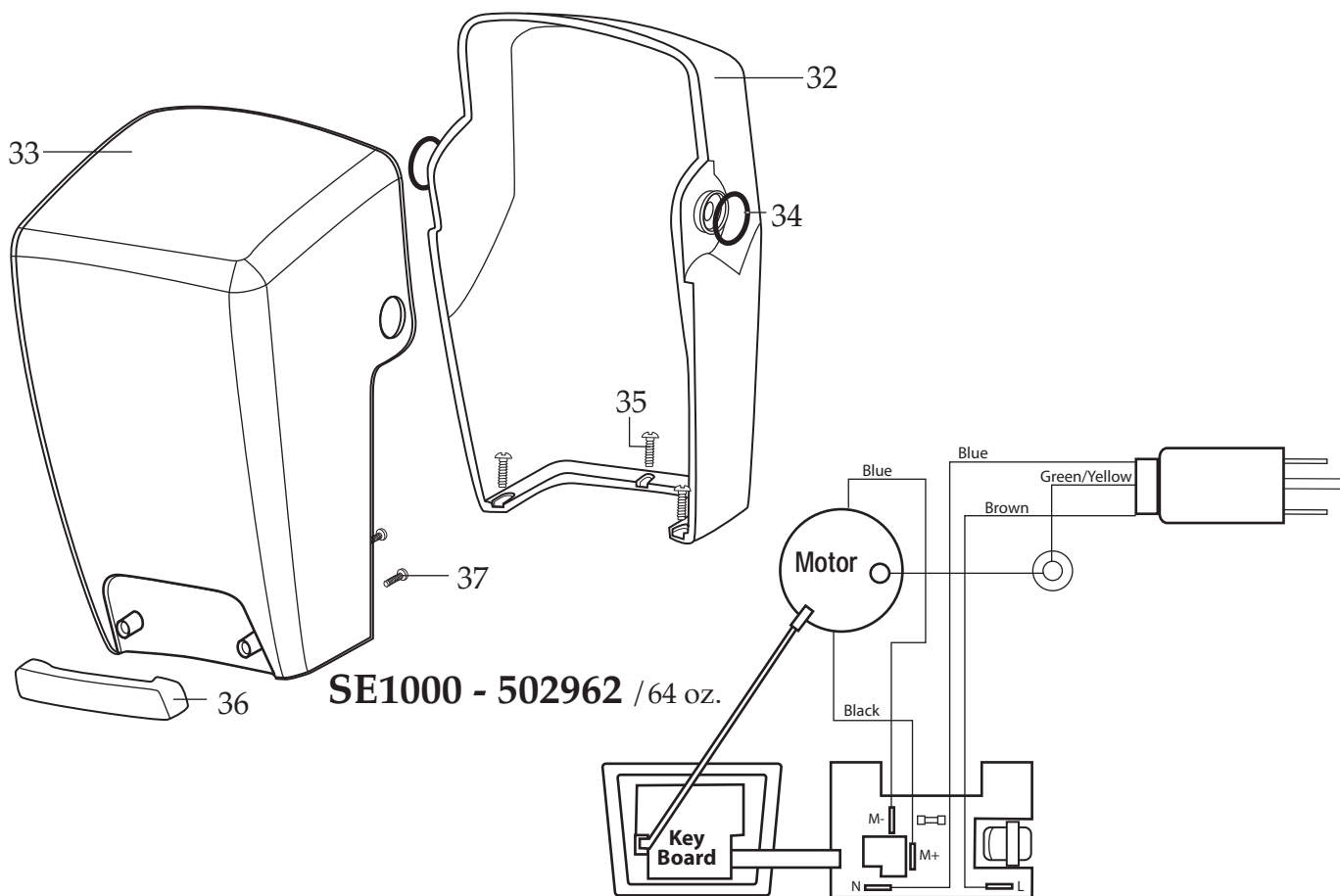
<b>Illustration #</b>	<b>Part #</b>	<b>Description</b>
1	026425-E	Jar Lid Cover
2	026424	Jar Lid
3	503326 503398	Jar ONLY /64 oz. stackable Jar with Blending Assy. /64 oz. stackable
4	503397	Blade Assy.
5	024271	Bearing Holder O Ring
6	024268	Nut Gasket
7	029631	Bearing Holder Nut
8	028538	Drive Clutch
9	026442	Jar Pad
9a	026443	Jar Pad /use with sound enclosure
10	028101	Motor
11	026437	Dampening Plate Gasket
12	028032-09	Top Housing /black
13	028541	Motor Foam 2 Req.'d
14	026439	Dampening Plate Bushing 4 Req.'d
15	026453	Dampening Plate Sleeve 4 Req.'d
16	026459	Washer
17	028929	Screw 4 Req.'d
18	028393	Control Panel
19	028248	Housing Foam Baffle /rear
20	028249	Housing Foam Baffle /front
21	028240	Motor Housing
22	002943	Washer 2 Req.'d
23	028247	Bottom Housing Foam Baffle
24	028542	Foam Baffle
25	026925	Cord Set
26	007556	Strain Relief

**Catalog**  
 MX1300XTX  
 MX1500XTX

**Model**  
 MX1300XT41  
 MX1500XT42

**Waring Factory Service Center**  
 314 Ella T. Grasso Ave.  
 Torrington, CT 06790  
 Tele. 1-800-269-6640  
 Fax 860-496-9017  
 www.waringproducts.com

Illustration #	Part #	Description
27	028241-09-x	Bottom Housing /black
28	012505	Screw 4 Req.'d
29	026430	Corner Post 4 Req.'d
30	028928	Screw 4 Req.'d
31	503351	MX Coupling Wrench ( <i>optional</i> )
32	026432	Inner Enclosure / 64 oz.
33	026433	Outer Enclosure / 64 oz.
34	027447	O Ring 2 Req.'d
35	026461	Screw 3 Req.'d
36	026434	Sound Enclosure Handle
37	012505	Screw 2 Req.'d



## Wiring Diagram